

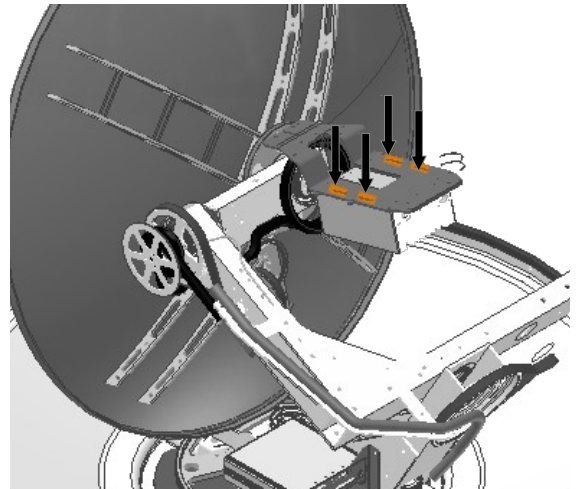
Changing the waveguide of DSi9 PRO



Required Tools

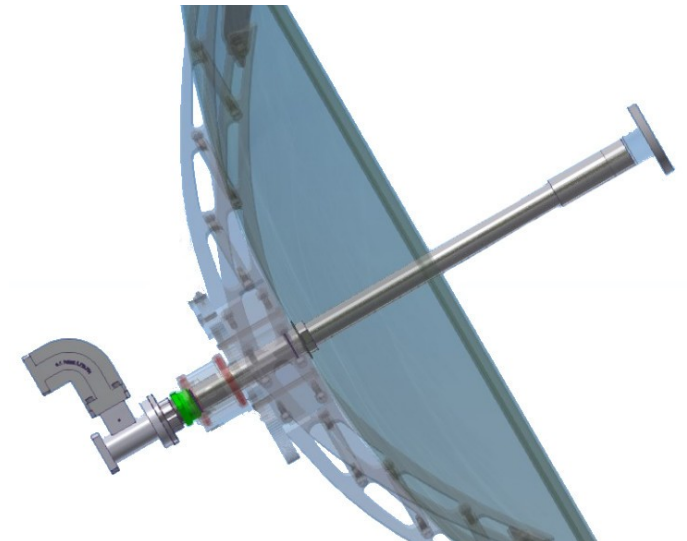
Wrench size 30
Offset Wrench size 27
Allen Key size 3

Step 1: Slightly loosen the 4 screws that hold the BUC, to allow a few millimeters of movement.



Step 1

Step 2: Unfasten locknut at the rear side of the reflector (here marked in green).

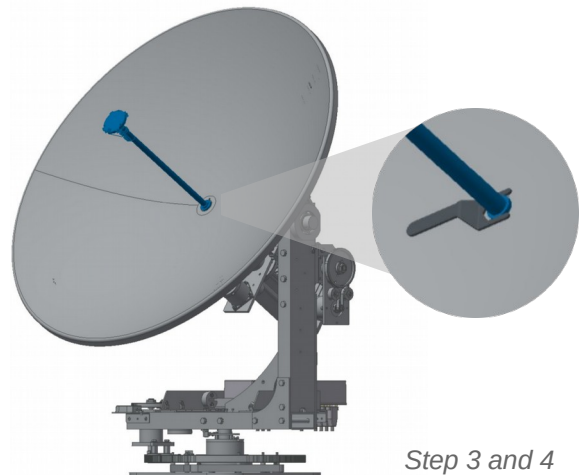


Step 2

Step 3: Loosen the waveguide with use of the **offset** wrench at the hex nut inside the main reflector. Be careful not to damage the reflector surface.

Step 4: Unscrew the waveguide by hand, gripping the aluminium pipe and turning it counter clockwise. With the other hand hold the locknut at the rear side of the reflector. (Step 2)

Pull the waveguide out completely.

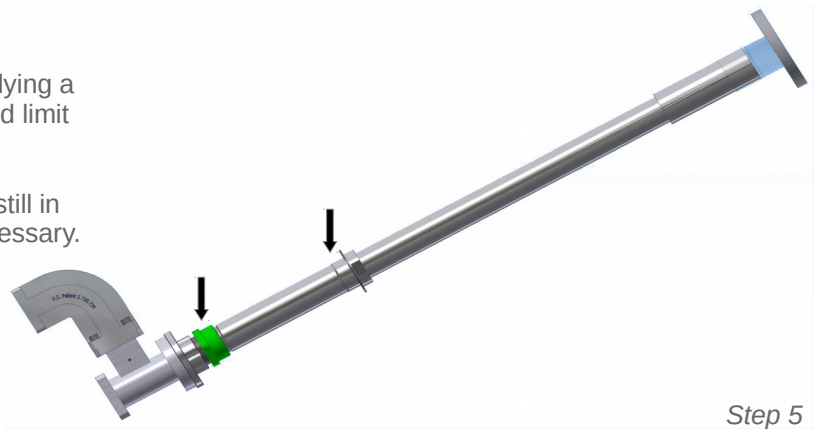


General Handling Advice

Do not separate the parts at the tip of the waveguide. Handle with care and secure in safe packaging for return shipment.

Step 5: Prepare replacement waveguide by applying a small quantity of grease to the thread and limit stop.

Check the rubber in the reflector hole is still in place and also apply some grease if necessary.



Step 6: Fit the replacement waveguide through the reflector. Skrew in by hand, turning the aluminium pipe clockwise. With the other hand hold the locknut at the rear of the reflector loosely at the thread, ensuring that the locknut does not get tight before the waveguide reaches its final screwing position.

Continue screwing the waveguide throught locknut and straight into the transceiver flange until it meets a barrier. You have arrived at the correct position, when you feel the BUC starting to turn. Ensure however that the BUC is not tilted but remains flat against the metal plate holder before continuing.

Tighten the waveguide with use of the offset wringe at the hex nut inside the main reflector. Then fasten the locknut at the rear. (Pressing against the reflector.)

Step 7: Fasten the 4 screws holding the transceiver. Double check that the surface of BUC and metal plate are joint flat without gaps in between. Secure tightly.

Please contact us for questions:
support@epak.de